

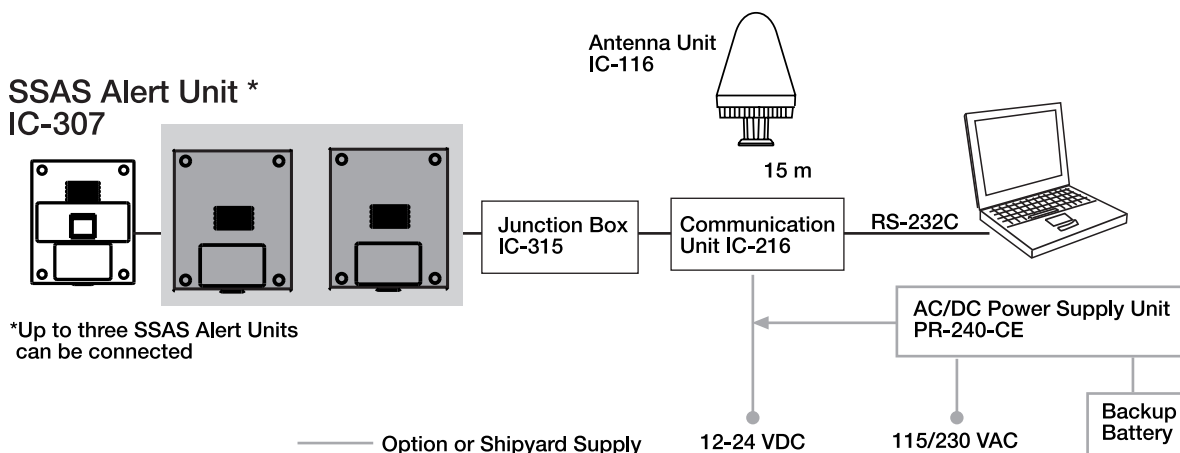
FURUNO FELCOM 16 SSAS

Das FELCOM 16 SSAS sendet einen Sicherheitsalarm an einen Teilnehmer an Land, falls das Schiff von Piraten, Terroristen, etc. angegriffen wird. Der Sicherheitsalarm meldet einen Angriff auf das Schiff, ohne die Aufmerksamkeit der Personen an Bord zu wecken.

The FELCOM 16 SSAS transmits a security alert to a component authority onshore when the ship is attacked by pirates, terrorists, etc. It indicates that the ship is under threat, without making others onboard aware.

1. Frequency	TX: 1626.5 - 1646.5 MHz RX: 1530.0 - 1545.0 MHz	
2. Channel Interval	5 kHz	
3. Minimum G/T	-23 dB/K (at elevation angle 5°)	
4. EIRP	7-16 dBW (at elevation angle 5°)	
ANTENNA UNIT		
1. Antenna Type	Daisy Loop Antenna	
2. Gain	Horizontal:	Omnidirectional
	Vertical:	0 dBi or more (angle of elevation: 90°) +1.3 dBi or more (angle of elevation: 5°)
3. Axial Ratio	Within 6 dB (5° to 90°)	
4. VSWR	1.5 or less (50 ohm)	
INTERFACE		
Serial interface device:	D-sub9, RS-232C	
SSAS Alert Unit:	D-sub15 (through the junction box)	
POWER SUPPLY:	12-24 VDC, 60 W (TX), 10 W (RX)	
ENVIRONMENT		
Ambient Temperature	Antenna Unit:	-35°C to +55°C
	Communication Unit:	-15°C to +55°C
Waterproof (IEC 60529)	Antenna Unit:	IPX6
	Communication Unit:	IPX0
Vibration ENC according to IEC 60945		
EQUIPMENT LIST		
Standard	1. Antenna Unit IC-116 with 15 m Cable	1 unit
	2. Communication Unit IC-216	1 unit
	3. SSAS Alert Unit IC-307	2 units
	4. Junction Box IC-315	1 unit
	5. Software for PC	
	6. Installation Materials and Spare Parts	
Option	1. AC/DC Power Supply Unit PR-240	
	2. Printer	
	3. SSAS Alert Unit IC-307	
	4. Cable 15/50/100 m	
Please contact the local dealer		

Interconnection Diagram



Specifications subject to change without notice